



HUGO
LIGHTING
Catalogue

**COMMERCIAL
INDUSTRIAL
SPECIALISED**

HUGO LIGHTING

Hugo Lighting has been operating in the lighting industry for the past 15 years supplying electrical wholesalers. We offer one of the most comprehensive lighting ranges available for residential, commercial and industrial applications.

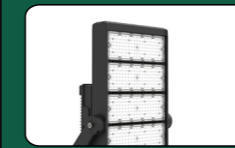
At HUGO Lighting we value Quality, Innovation and Creativity.

Our mission is to provide exceptional customer service and quality products engineered and designed for the New Zealand market. We offer architecturally designed lighting solutions for everyday use, and we are here to support you in the selection process for your next project.

Lighting should be considered the fourth dimension of architecture, there to complement and enhance the project. Finding the product is just the start of the lighting selection process; the placement, quantity and colour rendering are all important elements to consider when lighting a space.

In this catalogue you will find a selection of Commercial & Industrial Lighting with some specialist products for different applications. See our full range of products online or give one of our local sales team a call – visit hugolighting.com

Mark Ralston
Owner



SPORTS FLOODLIGHTS
1 - 2 page



PROFESSIONAL FLOODLIGHTS
3 - 10 page



AC LOW GLARE FLOODLIGHTS
11 - 18 page



AC GEN 2 FLOODLIGHTS
19 - 23 page



CLEAN ROOM HIGHBAY
25 - 26 page



UGR HIGHBAY
27 - 28 page



ESSENTIAL HIGHBAY
29 - 30 page



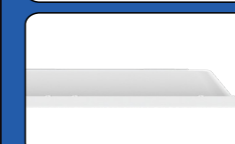
**WATTAGE SELECT SENSOR
HIGHBAY**
31 - 32 page



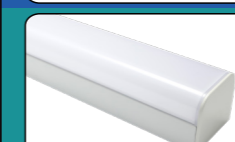
MEDICAL PANEL
33 - 35 page



EDUCATION PANEL
36 page



ESSENTIAL PANEL
37 page



BATTEN
38 page



WETHERPROOF
39 - 40 page



DOWNLIGHT
41 - 42 page

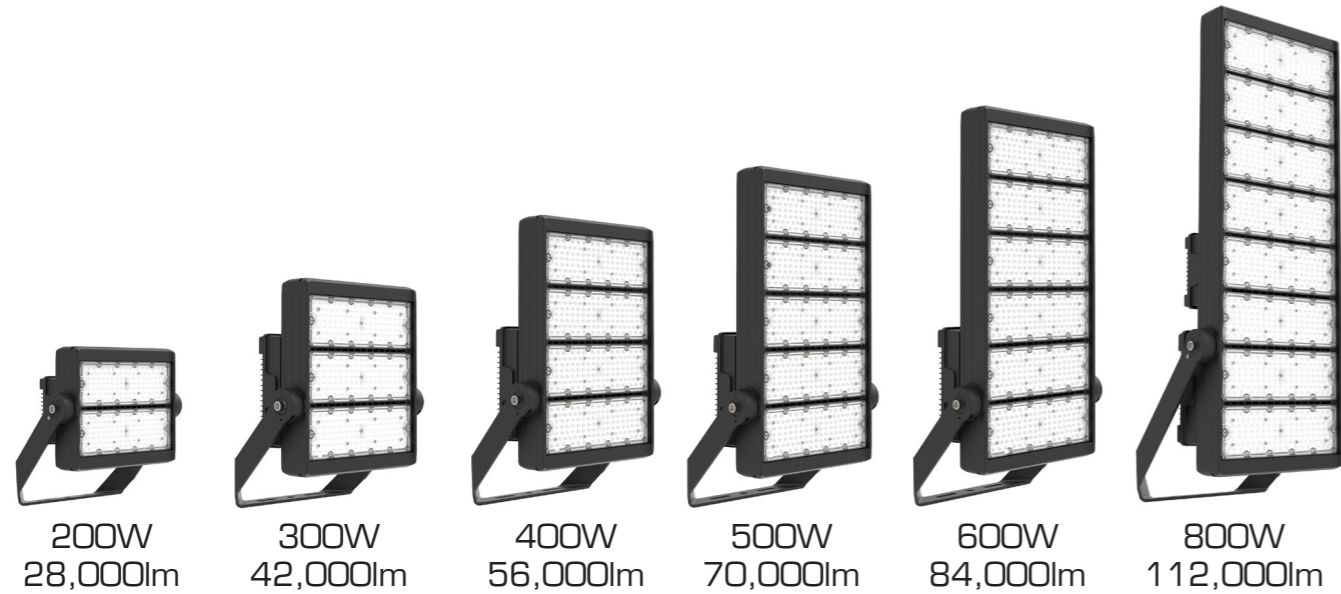
PROFESSIONAL SPORTS FLOODLIGHTS

PROFESSIONAL SPORTS FLOODLIGHTS

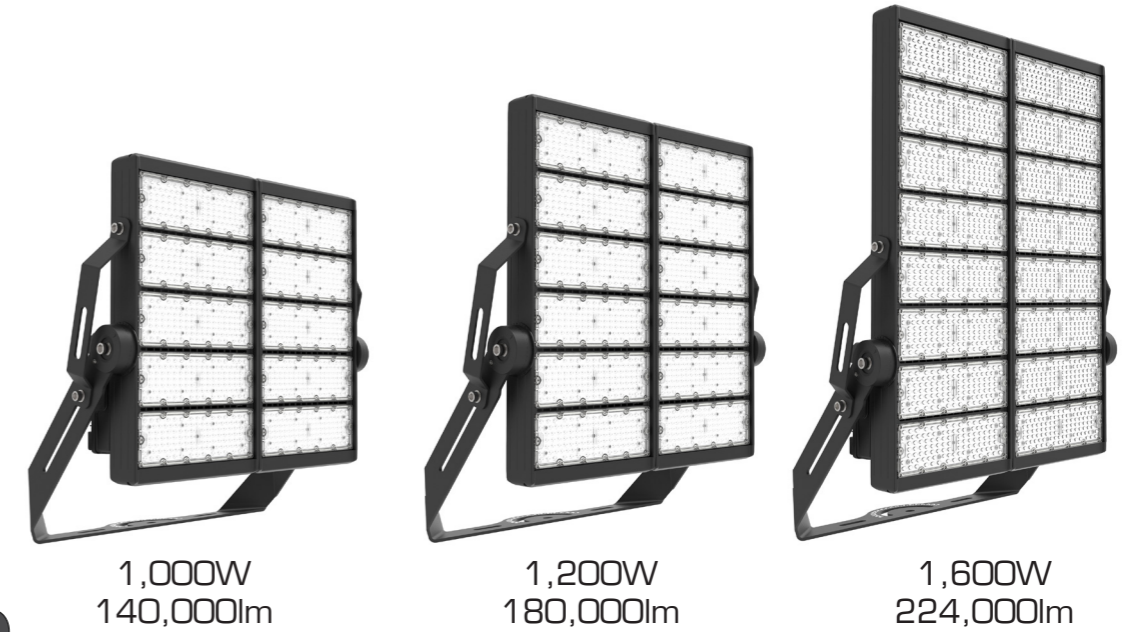
FLOODLIGHT

FLOODLIGHT

HUGO's sports light is designed for industrial and commercial lighting harboring the newest LED lighting technology for a wide range of applications. High grade materials and perfect workmanship provide excellent cooling abilities, low maintenance costs and a long lifespan. The enormous light output and the high efficiency make this modular floodlight an ideal replacement for all traditional industrial lamps.



200W 28,000lm 300W 42,000lm 400W 56,000lm 500W 70,000lm 600W 84,000lm 800W 112,000lm



1,000W 140,000lm 1,200W 180,000lm 1,600W 224,000lm

POWER SUPPLY PARAMETERS	
Input Voltage	100-277V
Input Frequency	47-63Hz
Power Factor	0.9
Effectiveness	>0.95
Harmonics wave	<15%
Start Time	0.5s
Insulation Class	Class 1
Dimming Method	1-10V, DALI
Dimming Range	10% - 100%
Driver	Tomcarlne or Mean Well
Surge Protection	10KV (20KV Optional)
Power Supply type	bipolar isolation constant current waterproof switching power supply

STRUCTURE	
Housing Material	Aluminium Alloy
Surface technology	Powder Coating
Ingress Protection	IP66
Inverse Kinematics	IK10
Corrosion resistance level	C4 rated anti-corrosion 1000H
Fire Proof level	UL94 V0
Shell Colour	Black
Mounting	Bracket installation
Ambient Temperature	-30 - 45°
Life	50,000hr

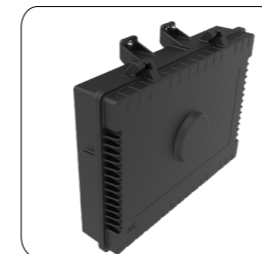
OPTICAL PARAMETERS			
LED Type	3030	LED efficacy	140lm/W
Transmittance	>90%	CRI	RA>80
SDCM	<5%	CCT	3, 4, 5, 6,000K
Flicker Factor	<15%	Material	PC
Beam Angle	30°, 60°, 90°, 30x70°, 60x90°, 40x130°, 15°, 10°		



270deg adjustment



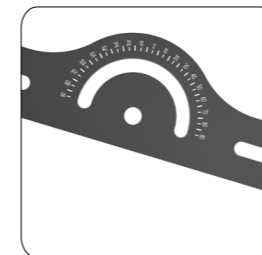
Laser Aiming device



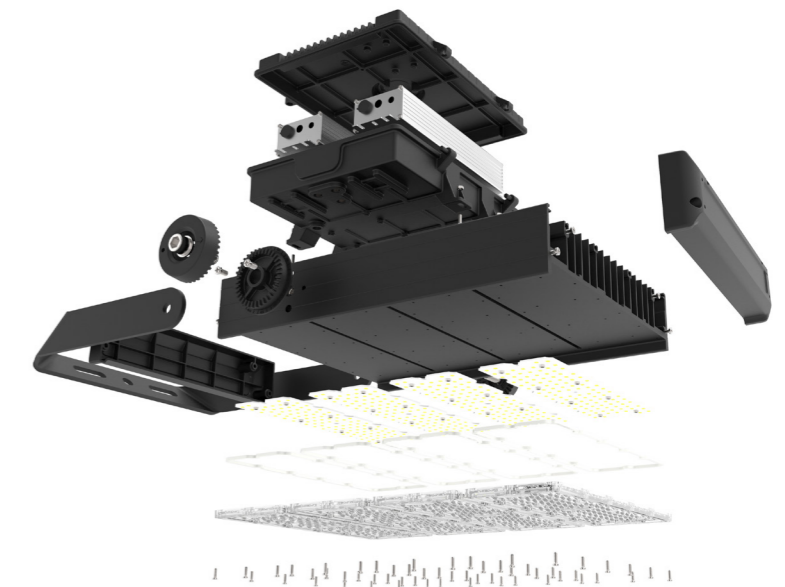
Integrated IP66 Junction Box



Silicone seal completely surrounding PCB



Easily Adjustable setting



	SPECIFICATIONS				
	Wattage	Lumens	Dimensions	LED Chips	Weight
FLS0200	200W	28,000lm	444x386x152mm	224pc	8.5kg
FLS0300	300W	42,000lm	549x386x152mm	336pc	11.2kg
FLS0400	400W	56,000lm	654x386x152mm	448pc	13.5kg
FLS0500	500W	70,000lm	759x386x152mm	560pc	15.5kg
FLS0600	600W	84,000lm	864x386x152mm	672pc	17.8kg
FLS0800	800W	112,000lm	1,074x386x152mm	896pc	24.6kg
FLS1000	1,000W	140,000lm	887x732x163mm	1,120pc	32.8kg
FLS1200	1,200W	168,000lm	982x732x163mm	1,344pc	38.6kg
FLS1500	1,500W	217,000lm	1,192x732x163mm	1,792pc	49.6kg
FLS1600	1,600W	224,000lm	1,192x732x163mm	1,792pc	49.6kg

50-300W PROFESSIONAL FLOODLIGHTS

50-300W PROFESSIONAL FLOODLIGHTS

FLOODLIGHT

FLOODLIGHT

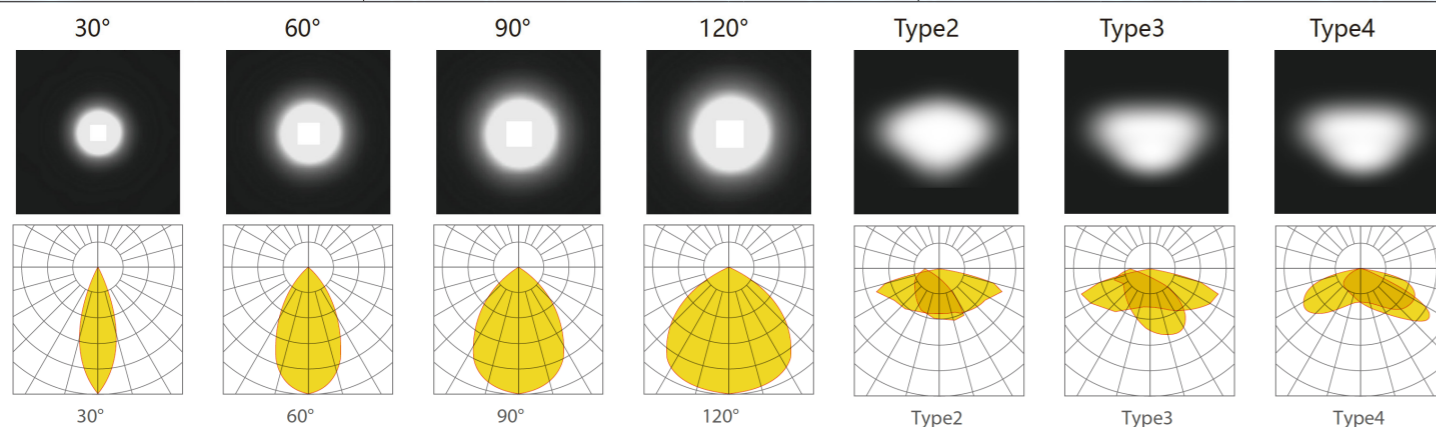
This professional range has a diverse light distribution for different applications and adopts one-piece moulding. The combination of radiator and modular lens is a multi-functional lamp that meets many types of application requirements. It can be a conventional floodlight, advertising sign light, and has the light distribution of a street light. Available in 4 sizes and 8 light distribution options 30°, 60°, 90°, 120°, Type 2, Type 3, Type 4 and Tennis court.

Professional outdoor area/road light with diverse light distribution for different applications. High brightness LED and driver combination delivering 130-140lm/w.

This range can be controlled via 1-10V, DMX512, DALI, PLC, Zigbee, External microwave sensor or Emergency.

POWER SUPPLY PARAMETERS		STRUCTURE	
Input Voltage	100-277V AC / 277-480V AC	Housing Material	Die-cast Aluminium
Input Frequency	50/60Hz	Surface technology	Electrostatic coating
Power Factor	0.95	Ingress Protection	IP66
Effectiveness	>0.93	Inverse Kinematics	IK08
Harmonics wave	<15%	Corrosion resistance level	C4 rated anti-corrosion 1000H
Start Time	0.5s	Fire Proof level	UL94 V0
Insulation Class	Class 1	Shell Colour	Silver, Black Optional
Dimming Method	1-10V, Dlai		
Dimming Range	10% - 100%		
Surge Protection	10KV, (20KV optional)		
Power Supply type	bipolar isolation constant current waterproof switching power supply		

OPTICAL PARAMETERS			
LED Type	3030	LED efficacy	140lm/W
Transmittance	>90%	CRI	RA>80
SDCM	<5%	CCT	3, 4, 5, 6,000K
Flicker Factor	<15%		
Beam Angle	SYMMETRICAL		ASYMMETRICAL
	30°, 60°, 90°, 120°		Type 2, Type 3, Type 4, Tennis



Microwave Sensor
FLDSEN



Daylight Sensor



Shorting Cap



7 Pin Socket



PLC/ZIGBEE Single Connector



Slipfitter Mount



DMX 512 Control Box

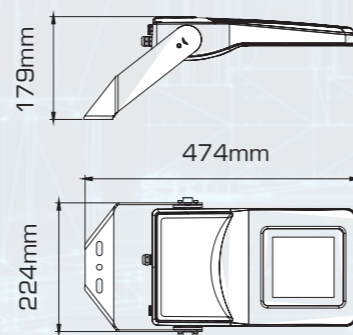
Our Motion and Lux Sensor (4 lux settings + Disabled) has a detection angle of 150 - 360deg with 6 hold time options. The detection sensitivity ranges from 25-100% with a detection radius of 4-6m (3m Height). This product can be mounted to a height of 6m max. This sensor easily attaches to our FLD Range.



50W ASYMMETRICAL

FLD050T4

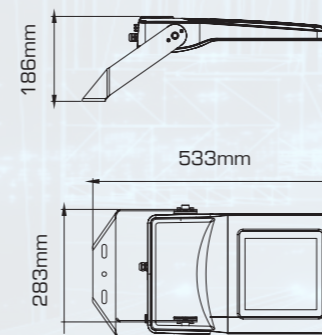
Wattage	50W
Lumens	6,500lm
Beam	T4



100W ASYMMETRICAL

FLD100T4

100W	Wattage
13,500lm	Lumens
T4	Beam



Wattage	50W
Dimensions	474x224x179mm
Dimmable	Yes
IP Rating	IP66
CRI	>80
Working Temperature	-40 - 50°
Material	Aluminium, Tempered Glass 4mm
Anti Surge	10KV (20KV Available)
Warranty	5Yr
Beam Angle	T4 Asymmetrical (Others Available)

Lumens	6,500lm
Input	100-277V AC
Colour Temperature	4,000K (Others Available)
IK Rating	IK08
Lifespan	50,000hr (L70)
Power factor	>0.95
Cable	1m
Lumens per Watt	130-140lm/W

13,500lm	Lumens
100-277V AC	Input
4,000K (Others Available)	Colour Temperature
IK08	IK Rating
50,000hr (L70)	Lifespan
>0.95	Power factor
1m	Cable
130-140lm/W	Lumens per Watt

100W	Wattage
283x533x186mm	Dimensions
Yes	Dimmable
IP66	IP Rating
>80	CRI
-40 - 50°	Working Temperature
Aluminium, Tempered Glass 4mm	Material
10KV (20KV Available)	Anti Surge
5Yr	Warranty
T4 Asymmetrical (Others Available)	Beam Angle

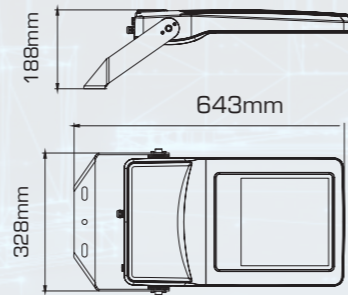
ACCESSORIES	
Sensor (FLDSEN)	Microwave Sensor (Motion & Daylight)

ACCESSORIES	
Microwave Sensor (Motion & Daylight)	Sensor (FLDSEN)

150W ASYMMETRICAL

FLD150T4

Wattage	150W
Lumens	21,500lm
Beam	T4



Wattage	150W
Dimensions	328x643x188mm
Dimmable	Yes
IP Rating	IP66
CRI	>80
Working Temperature	-40 - 50°
Material	Aluminium, Tempered Glass 4mm
Anti Surge	10KV (20KV Available)
Warranty	5Yr
Beam Angle	T4 Asymmetrical (Others Available)

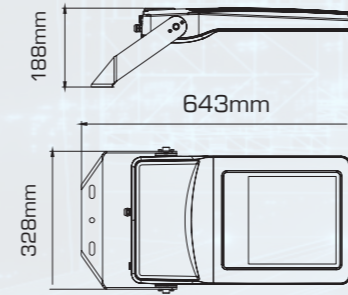
Lumens	21,500lm
Input	100-277V AC
Colour Temperature	4,000K (Others Available)
IK Rating	IK08
Lifespan	50,000hr (L70)
Power factor	>0.95
Cable	1m
Lumens per Watt	130-140lm/W

ACCESSORIES	
Sensor (FLDSEN)	Microwave Sensor (Motion & Daylight)

200W ASYMMETRICAL

FLD200T4

Wattage	200W
Lumens	28,000lm
Beam	T4



Lumens	28,000lm
Input	100-277V AC
Colour Temperature	4,000K (Others Available)
IK Rating	IK08
Lifespan	50,000hr (L70)
Power factor	>0.95
Cable	1m
Lumens per Watt	130-140lm/W

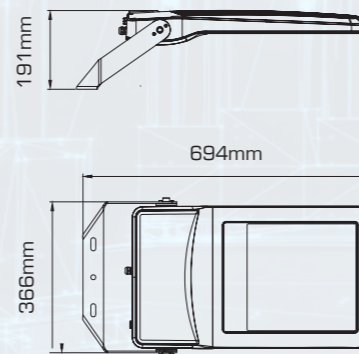
Wattage	200W
Dimensions	328x643x188mm
Dimmable	Yes
IP Rating	IP66
CRI	>80
Working Temperature	-40 - 50°
Material	Aluminium, Tempered Glass 4mm
Anti Surge	10KV (20KV Available)
Warranty	5Yr
Beam Angle	T4 Asymmetrical (Others Available)

ACCESSORIES	
Microwave Sensor (Motion & Daylight)	Sensor (FLDSEN)

240W ASYMMETRICAL

FLD240T4

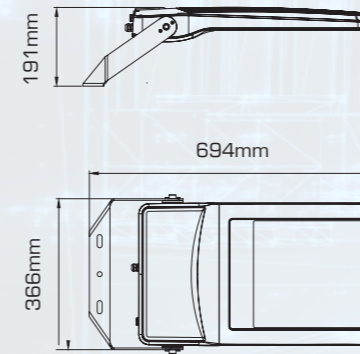
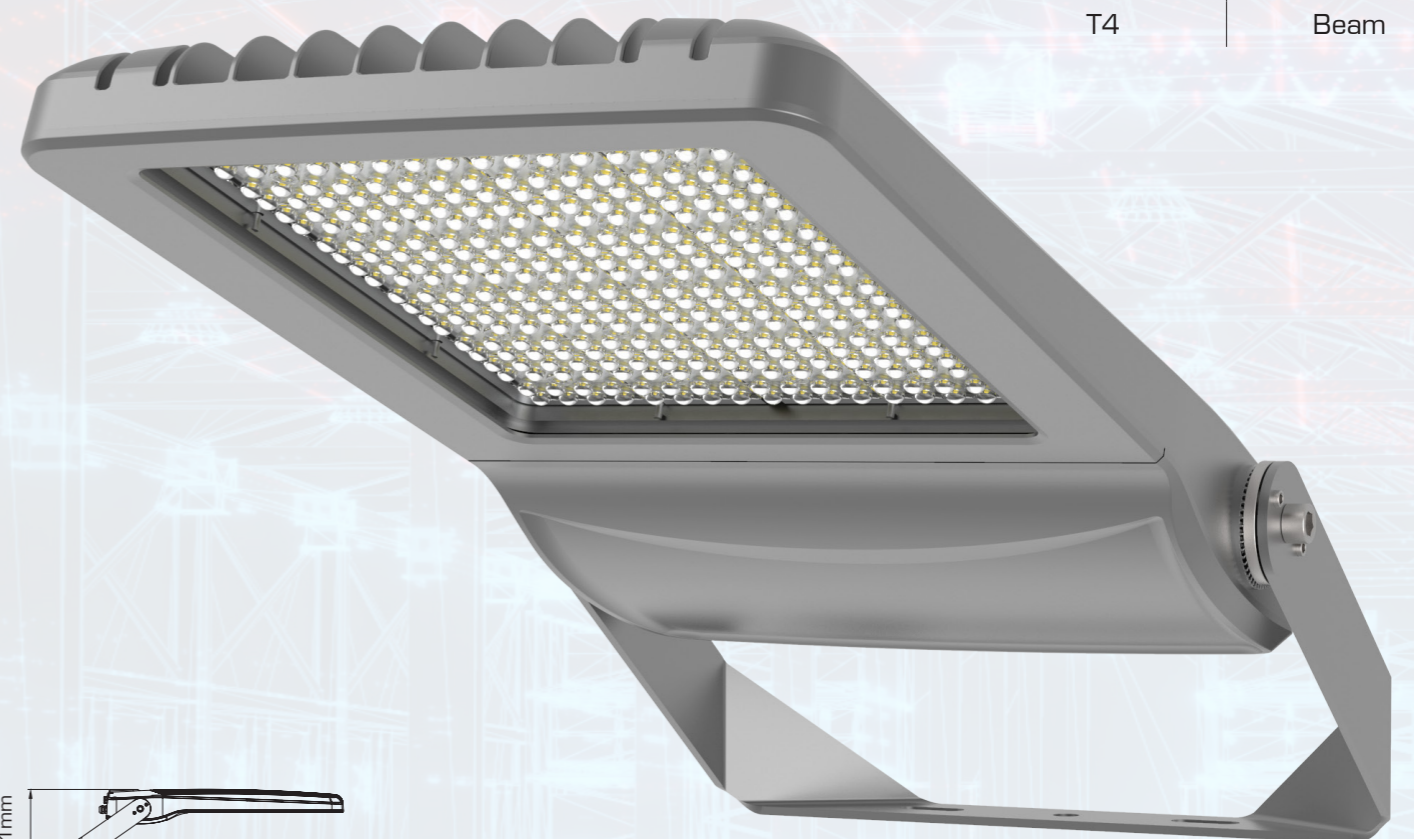
Wattage	240W
Lumens	35,000lm
Beam	T4



300W ASYMMETRICAL

FLD300T4

Wattage	300W
Lumens	43,500lm
Beam	T4



Wattage	240W
Dimensions	366x694x191mm
Dimmable	Yes
IP Rating	IP66
CRI	>80
Working Temperature	-40 - 50°
Material	Aluminium, Tempered Glass 4mm
Anti Surge	10KV (20KV Available)
Warranty	5Yr
Beam Angle	T4 Asymmetrical (Others Available)

Lumens	35,000lm
Input	100-277V AC
Colour Temperature	4,000K (Others Available)
IK Rating	IK08
Lifespan	50,000hr (L70)
Power factor	>0.95
Cable	1m
Lumens per Watt	130-140lm/W

Lumens	43,500lm
Input	100-277V AC
Colour Temperature	4,000K (Others Available)
IK Rating	IK08
Lifespan	50,000hr (L70)
Power factor	>0.95
Cable	1m
Lumens per Watt	130-140lm/W

Wattage	300W
Dimensions	366x694x191mm
Dimmable	Yes
IP Rating	IP66
CRI	>80
Working Temperature	-40 - 50°
Material	Aluminium, Tempered Glass 4mm
Anti Surge	10KV (20KV Available)
Warranty	5Yr
Beam Angle	T4 Asymmetrical (Others Available)

ACCESSORIES	
Sensor (FLDSEN)	Microwave Sensor (Motion & Daylight)

ACCESSORIES	
Microwave Sensor (Motion & Daylight)	Sensor (FLDSEN)

AC LOW GLARE FLOODLIGHT

10W AC LOW GLARE FLOODLIGHT

FLAC10

10W
900lm

Wattage
Lumens

HUGO's low glare AC flood light is suitable for commercial or residential applications, utilising SMA2835 AC LED's in matrix array to improve performance and control unwanted light spill and glare. They have excellent light control within a compact body, are IP66 and fitted with a moisture valve to eliminate lens fogging.



POWER SUPPLY PARAMETERS	
Input Voltage	220 - 240V
Input Frequency	50/60Hz
Power Factor	0.95
Harmonics wave	<15%
Start Time	0.5s
Insulation Class	Class 1
Dimming Method	No
Dimming Range	No
Surge Protection	4KV
Power Supply type	AC LED

STRUCTURE	
Housing Material	Die-cast Aluminium
Surface technology	Electrostatic coating
Ingress Protection	IP66
Inverse Kinematics	IK08
Fire Proof level	UL94 VO
Shell Colour	Black
Screws	Stainless Steel

OPTICAL PARAMETERS			
LED Type	AC 2835	LED efficacy	90lm/W
Transmittance	>93%	CRI	RA>80
SDCM	<5	CCT	4,000K, RGB
Flicker Factor	<15%	Beam Angle	70°

900lm	Lumens	10W	Wattage
220 - 240V AC	Input	124x115x32mm	Dimensions
4,000K	Colour Temperature	No	Dimmable
IK08	IK Rating	IP66	IP Rating
50,000hr	Lifespan	>80	CRI
>0.95	Power factor	-35 - 45°	Working Temperature
1.5m	Cable	Aluminium, Tempered Glass 4mm	Material
90lm/W	Lumens per Watt	4KV	Anti Surge
70°	Beam Angle	3Yr	Warranty

20W AC LOW GLARE FLOODLIGHT

FLAC20

Wattage	20W
Lumens	1,800lm



50W AC LOW GLARE FLOODLIGHT

FLAC50

50W	Wattage
4,500lm	Lumens



Wattage	20W
Dimensions	151x181x35mm
Dimmable	No
IP Rating	IP66
CRI	>80
Working Temperature	-35 - 45°
Material	Aluminium, Tempered Glass 4mm
Anti Surge	4KV
Warranty	3Yr

Lumens	1,800lm
Input	220 - 240V AC
Colour Temperature	4,000K
IK Rating	IK08
Lifespan	50,000hr
Power factor	>0.95
Cable	1.5m
Lumens per Watt	90lm/W
Beam Angle	70°

4,500lm	Lumens
220 - 240V AC	Input
4,000K	Colour Temperature
IK08	IK Rating
50,000hr	Lifespan
>0.95	Power factor
1.5m	Cable
90lm/W	Lumens per Watt
70°	Beam Angle

50W	Wattage
197x181x35	Dimensions
No	Dimmable
IP66	IP Rating
>80	CRI
-35 - 45°	Working Temperature
Aluminium, Tempered Glass 4mm	Material
4KV	Anti Surge
3Yr	Warranty

100W AC LOW GLARE FLOODLIGHT

FLAC100

Wattage	100W
Lumens	9,000lm



200W AC LOW GLARE FLOODLIGHT

FLAC200

200W	Wattage
18,000lm	Lumens



Wattage	100W
Dimensions	254x232x42mm
Dimmable	No
IP Rating	IP66
CRI	>80
Working Temperature	-35 - 45°
Material	Aluminium, Tempered Glass 4mm
Anti Surge	4KV
Warranty	3Yr

Lumens	9,000lm
Input	220 - 240V AC
Colour Temperature	4,000K
IK Rating	IK08
Lifespan	50,000hr
Power factor	>0.95
Cable	1.5m
Lumens per Watt	90lm/W
Beam Angle	70°

18,000lm	Lumens
220 - 240V AC	Input
4,000K	Colour Temperature
IK08	IK Rating
50,000hr	Lifespan
>0.95	Power factor
1.5m	Cable
90lm/W	Lumens per Watt
70°	Beam Angle

200W	Wattage
353x316x47mm	Dimensions
No	Dimmable
IP66	IP Rating
>80	CRI
-35 - 45°	Working Temperature
Aluminium, Tempered Glass 4mm	Material
4KV	Anti Surge
3Yr	Warranty

36W RGB AC LOW GLARE FLOODLIGHT

FLAC15RGB

Wattage | 36W



Wattage	36W
Dimensions	151x181x35mm
Dimmable	Yes Remote
IP Rating	IP65
CRI	RGB
Working Temperature	-35 - 45°
Material	Aluminium, Tempered Glass 4mm
Anti Surge	4KV
Warranty	3Yr

Lumens	Na
Input	220 - 240V AC
Colour Temperature	RGB
IK Rating	IK08
Lifespan	50,000hr
Power factor	>0.95
Cable	1.5m
Beam Angle	70°

REMOTE FUNCTIONS			
On Off	7 Colour Jump Mode	Dimming 10% - 100% 15 Step	3 Colour Jump Mode
Green, Red, Blue, White	White Fade in and out	7 Colour Fade Mode	
16 Static Colours	4 Dynamic effects		

7W RGB AC LOW GLARE FLOODLIGHT

FLAC07RGB

7W | Wattage



Na	Lumens
220 - 240V AC	Input
RGB	Colour Temperature
IK08	IK Rating
50,000hr	Lifespan
>0.95	Power factor
1.5m	Cable
70°	Beam Angle

7W	Wattage
138x152x27mm	Dimensions
Yes Remote	Dimmable
IP65	IP Rating
RGB	CRI
-35 - 45°	Working Temperature
Aluminium, Tempered Glass 4mm	Material
4KV	Anti Surge
3Yr	Warranty

REMOTE FUNCTIONS			
3 Colour Jump Mode	Dimming 10% - 100% 15 Step	7 Colour Jump Mode	On Off
	7 Colour Fade Mode	White Fade in and out	Green, Red, Blue, White
		4 Dynamic effects	16 Static Colours

FLOODLIGHT

FLOODLIGHT

GENERATION 2 AC FLOODLIGHT

20W AC FLOODLIGHT

FLAC020

HUGO's Generation 2 floodlights utilise SMD2835 AC LED's in a matrix array to improve performance and control unwanted light spill. The super slim profile makes it suitable for Residential and Commercial applications. Also IP66 rated and fitted with moisture valve to eliminate lens fogging.

20W	Wattage
1,800lm	Lumens



20W 1,800lm 50W 4,500lm 100W 9,000lm 200W 18,000lm



Aviation die-cast aluminium lamp housing. Anti-rust, efficient heat dissipation.



IP66 rating with moisture valve to alleviate lens fogging



POWER SUPPLY PARAMETERS	
Input Voltage	220 - 240V AC
Input Frequency	50/60Hz
Power Factor	0.95
Start Time	0.5s
Insulation Class	Class 1
Dimming Method	No
Dimming Range	No
Surge Protection	4KV
Power Supply type	AC LED

STRUCTURE	
Housing Material	Die-cast Aluminium
Surface technology	Electrostatic coating
Ingress Protection	IP66
Inverse Kinematics	IK08
Fire Proof level	UL94 V0
Shell Colour	Black
Screws	Stainless Steel

OPTICAL PARAMETERS	
LED Type	AC 2835
Transmittance	>93%
SDCM	<5
Beam Angle	120°

LED efficacy	90lm/W
CRI	RA>80
CCT	4,000K

1,800lm	Lumens	20W	Wattage
220 - 240V AC	Input	207x157x30mm	Dimensions
4,000K	Colour Temperature	No	Dimmable
IK08	IK Rating	IP66	IP Rating
50,000hr	Lifespan	>80	CRI
>0.95	Power factor	-35 - 45°	Working Temperature
1.5m	Cable	Aluminium, Tempered Glass 4mm	Material
90lm/W	Lumens per Watt	4KV	Anti Surge
120°	Beam Angle	3Yr	Warranty

50W AC FLOODLIGHT

FLAC2050

Wattage	50W
Lumens	4,500lm



100W AC FLOODLIGHT

FLAC2100

100W	Wattage
9,000lm	Lumens



Wattage	50W
Dimensions	262x195x30mm
Dimmable	No
IP Rating	IP66
CRI	>80
Working Temperature	-35 - 45°
Material	Aluminium, Tempered Glass 4mm
Anti Surge	4KV
Warranty	3Yr

Lumens	4,500lm
Input	220 - 240V AC
Colour Temperature	4,000K
IK Rating	IK08
Lifespan	50,000hr
Power factor	>0.95
Cable	1.5m
Lumens per Watt	90lm/W
Beam Angle	120°

9,000lm	Lumens
220 - 240V AC	Input
4,000K	Colour Temperature
IK08	IK Rating
50,000hr	Lifespan
>0.95	Power factor
1.5m	Cable
90lm/W	Lumens per Watt
120°	Beam Angle

100W	Wattage
337x245x31mm	Dimensions
No	Dimmable
IP66	IP Rating
>80	CRI
-35 - 45°	Working Temperature
Aluminium, Tempered Glass 4mm	Material
4KV	Anti Surge
3Yr	Warranty

200W AC FLOODLIGHT

FLAC2200

Wattage	200W
Lumens	18,000lm



GENERATION 1 AC FLOODLIGHTS



20W
1,800lm



50W
4,500lm



100W
9,000lm



200W
18,000lm

GENERATION 2 AC FLOODLIGHTS



Wattage	200W	Lumens	18,000lm
Dimensions	444x313x40mm	Input	220 - 240V AC
Dimmable	No	Colour Temperature	4,000K
IP Rating	IP66	IK Rating	IK08
CRI	>80	Lifespan	50,000hr
Working Temperature	-35 - 45°	Power factor	>0.95
Material	Aluminium, Tempered Glass 4mm	Cable	1.5m
Anti Surge	4KV	Lumens per Watt	90lm/W
Warranty	3Yr	Beam Angle	120°

200W CLEAN ROOM HIGHBAY

HB520-5

NSF Approved (NSF/ANSI 2)

Wattage	200W
Lumens	28,000lm

HUGO's clean room highbay range has incorporated an innovative structural design resulting in excellent heat dissipation by separating the location for LED Chips and Drivers (independent heat dissipation).

Engineered to address the requirements of the food processing industry and comply with FDA guidelines. The corrosion resistant and non-toxic aluminum exterior is completely smooth and easy to clean.

This fitting can incorporate an option of a sensor in the centre of the fitting allowing up to 70% power saving.

This 140 lumens per watt product can be cleaned by 80° steam and washed by high pressure water. This smart highbay luminaire reduces complexity by controlling the fitting not the circuit.



Wattage	200W	Lumens	28,000lm
Dimensions	460x177mm	Input	100-277V AC
Dimmable	Yes (HB720SEN)	Colour Temperature	5,000K, (Others available)
IP Rating	IP65 (IP69K)	IK Rating	IK10
CRI	>80	Lifespan	50,000hr
Working Temperature	-25 - 45°	Power factor	>0.95
Material	Aluminium	Flex & Plug	1.5m
Anti Surge	4KV	Lumens per Watt	140lm/W
Warranty	3Yr	Beam Angle	110°

ACCESSORIES	
Sensor (FLDSEN)	Microwave Sensor (Motion & Daylight)
Remote (HB720REM)	Remote for HB720SEN

150-100W CLEAN ROOM HIGHBAY

HB515-5

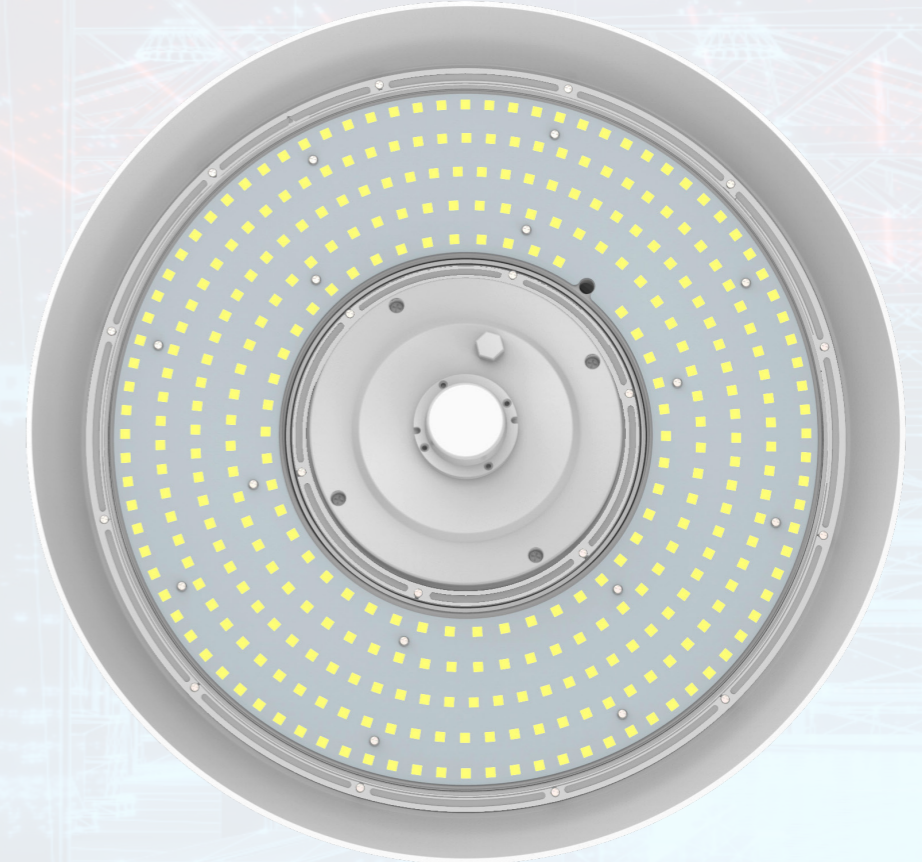
HB510-5

150W
21,000lm

Wattage	100W
Lumens	14,000lm

100W
14,000lm

Wattage	150W
Lumens	21,000lm



HB510-5	HB515-5	
14,000lm	21,000lm	Lumens
100-277V AC		Input
5,000K, (Others available)		Colour Temperature
	IK10	IK Rating
	50,000hr	Lifespan
	>0.95	Power factor
	1.5m	Flex & Plug
	140lm/W	Lumens per Watt
	110°	Beam Angle

HB510-5	HB515-5	
100W	150W	Wattage
460x177mm		Dimensions
Yes (HB720SEN)		Dimmable
IP65 (IP69K)		IP Rating
>80		CRI
-25 - 45°		Working Temperature
Aluminium		Material
4KV		Anti Surge
3Yr		Warranty

ACCESSORIES	
Microwave Sensor (Motion & Daylight)	Sensor (FLDSEN)
Remote for HB720SEN	Remote (HB720REM)

HIGHBAY

HIGHBAY

120 - 200W UGR HIGHBAY

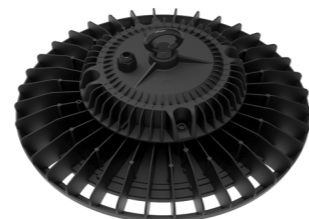
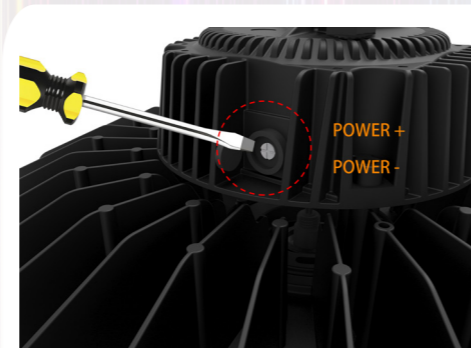
HB720

Wattage	120 - 200W
Lumens	29,000lm

HUGO introduces the first UGR<22 highbay with wattage select incorporating an option of a sensor in the centre of the fitting allowing up to 70% power saving.

140 lumens per watt anti-glare design makes this comfortable for the eyes.

This smart highbay luminaire reduces complexity by controlling the fitting not the circuit.



120 - 200W UGR HIGHBAY

HB72OREM

HB72OSEN

For HB72OSEN	Remote	Motion + Daylight	Sensor
--------------	--------	-------------------	--------

PIR Sensor (HB72OSEN) reduces energy consumption when light is not needed, reducing your energy use to 30%. Within 3 seconds you can install this 12V DC smart plug and play attachment that sensors lux levels and movement.

The remote allows you to control your highbay by easily selecting the desired settings (Brightness, Sensitivity, Hold time, Daylight Sensor and Standby). If no motion is detected the fitting will dim down to the perfect lux levels.



Wattage	120-200W
Dimensions	360x188mm
Dimmable	Yes (HB72OSEN)
IP Rating	IP66
CRI	70+
Working Temperature	-30 - 55°
Material	Aluminium
Anti Surge	4KV
Warranty	3Yr
Beam Angle	80°

Lumens	29,000lm
Input	100-277V AC
Colour Temperature	5,000K
IK Rating	IK10
Lifespan	72,000hrs (T21 L70)
Power factor	>0.95
Flex & Plug	1.5m
Lumens per Watt	145lm/W
UGR	<22

HB72OREM	
IR 2xAAA 5V Battery	Input
15m	Upload Range
70, 80, 90, 100%	Dimming Options
10s, 1m, 5m, 10m, 15m, 20m, 30m, 60m	Multiple Hold Times
0-50°	Optimum Temp

HB72OSEN	
15m	Range
180°	Viewing angle
IP65	IP Rating
>80	CRI
-20 - 60°	Working Temperature
55x43.1mm	Dimensions

100% Sensitivity, 5min Hold time, Daylight Sensor On, Dimming level 30%, Dimming Time 60min	Default Settings
0-10V	Dimming Control
20%, 50%, 75%, 100%, 100% (1-8m)	Detection Radius
12m	Mounting Height
10s, 1m, 5m, 10m, 15m, 20m, 30m, 60m	Time Setting
24h, 10lx, 30lux, 50lux	Light Control
Screw connection into centre of HB720	Connection

ACCESSORIES	
Sensor (HB72OSEN)	Microwave Sensor (Motion & Daylight)
Remote (HB72OREM)	Remote for HB72OSEN

HIGHBAY

HIGHBAY

200W HIGHBAY

HB201-5

Wattage	200W
Lumens	27,350lm

Introducing a Next Generation of Highbay Lighting. Gone are the inefficient Mercury Vapour, Metal Halide, and even HPS metal reflector highbays. Latest generation introduces massive system efficiency with up to 135+ Lumens per Watt. The HUGO LED highbay features a highly efficient driver matched to 3030 SMD LEDs. Supplied complete with flex & plug for quick installation.

150-100W HIGHBAY

HB151-5

150W
21,000lm

Wattage	100W
Lumens	13,000lm

HB101-5

100W
13,000lm

Wattage	150W
Lumens	21,000lm

HIGHBAY

HIGHBAY



Wattage	200W	Lumens	27,350m
Dimensions	320x150mm	Input	100 - 277V AC
Dimmable	No (Available)	Colour Temperature	5,000K
IP Rating	IP65	IK Rating	IK10
CRI	80+ (R9=4)	Lifespan	50,000hr (TM21 70)
Working Temperature	-30 - 45°	Power factor	>0.95
Material	Aluminium	Flex & Plug	1.5m
Anti Surge	4KV	Lumens per Watt	135lm/W
Warranty	5Yr	Beam Angle	90°

ACCESSORIES	
Reflector (HBREF)	Reflector

HB101-5	HB151-5	
13,000lm	21,000lm	Lumens
100 - 277V AC		Input
5,000K		Colour Temperature
IK10		IK Rating
50,000hr (TM21 70)		Lifespan
>0.95		Power factor
1.5m		Flex & Plug
135lm/W		Lumens per Watt
90°		Beam Angle

HB101-5	HB151-5	
100W	150W	Wattage
320x150mm		Dimensions
No (Available)		Dimmable
IP65		IP Rating
80+ (R9=4)		CRI
-30 - 45°		Working Temperature
Aluminium		Material
10KV (20KV Available)		Anti Surge
5Yr		Warranty

ACCESSORIES	
Reflector	Reflector (HBREF)

WATTAGE SELECT + SENSOR HIGHBAY

SENSOR

HB201-5A

Wattage	100/120/150/200W
Lumens	15,000 - 30,000lm

HUGO's improved everyday highbay offers exceptional efficiency at 150lm/W. With adjustable wattage, colour select and sensor accessory making this fitting suitable for all projects. Housing constructed from ADC12 aluminium heat sink with outdoor powder coating, IP65 and IK10 rated for extra durability.

HB2REM

For HB2SEN

Remote

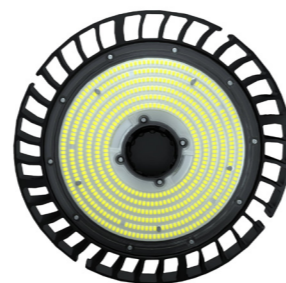
Motion + Daylight

Sensor



Microwave or PIR Sensor (HB2SEN) reduces energy consumption when light is not needed. Quickly you can install this smart plug and play attachment that sensors lux levels and movement.

This remote (HB2REM) allows you to control your highbay by easily selecting the desired settings (Brightness, Sensitivity, Hold time, Daylight Sensor and Standby). If no motion is detected the fitting will dim down to the set lux levels.



Dimensions	200/150/120/100W	Lumens	15,000 - 30,000m
Dimmable	330 x 188mm	Input	100 - 277V AC
IP Rating	Yes (Remote + Sensor)	Colour Temperature	5,000K
CRI	IP65	IK Rating	IK10
Working Temperature	80+	Lifespan	50,000hr (TM21 70)
Material	-30 - 45°	Power factor	>0.90
Anti Surge	Aluminium	Flex & Plug	1.5m
Warranty	4KV	Lumens per Watt	150lm/W
	5Yr	Beam Angle	90° (70 and 120° Available)

ACCESSORIES	
Reflector (HBREF)	Reflector
Sensor (HB2SEN)	Motion and Lux Sensor
Dust Cover (HB2DST)	Dust cover

HB2REM		HB2SEN	
2xAAA 5V Battery	Input	12m	Mounting Height
Adjustable 0 - 100%	Dimming Options	Motion and Lux	Sensitivity
Adjustable	Multiple Hold Times	Yes	Daylight Sensor
		Adjustable and sensitive dependant	Detection Radius
		Adjustable	Hold Time
		Screw connection into centre of HB201-5A	Connection

HIGHBAY

HIGHBAY

HUGO has an extensive range of Backlit panels to replace the traditional T8 and T5 fittings. Our range provides energy saving and long life benefits. We have focused our development on providing the best solution for the environment by incorporating High CRI and only UGR19 options, as we believe these will make the environment more comfortable and productive for employees and visitors.

Backlit panels have simplified the manufacturing process resulting in no discolouration over the life of the fitting compared to sidelit panels.



MEDICAL

Our medical panels have been designed around achieving the appropriate level of Cyanosis Observation Index (COI) of <3.3 in accordance to AS/NZS 1680.2.5. This highlights when oxygen levels in the blood are depleted (blueish discolouration on the skin). Ensuring good lighting is essential in Medical Establishments to allow staff to recognise Cyanosis in patients.



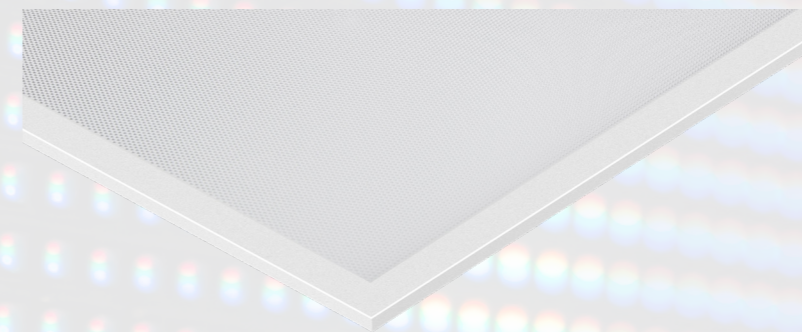
EDUCATION

The Ministry of Education have developed a series of guidelines that highlight key factors which make an environment more comfortable for students and staff. These include: CRI minimum standard of RA>80, R9=80+, Power Factor of 90%+, Life of 70% after 50,000hr, Uniformity Ratio between 0.5-0.7, UGR rating 19 and colour temperature generally 4,000K.

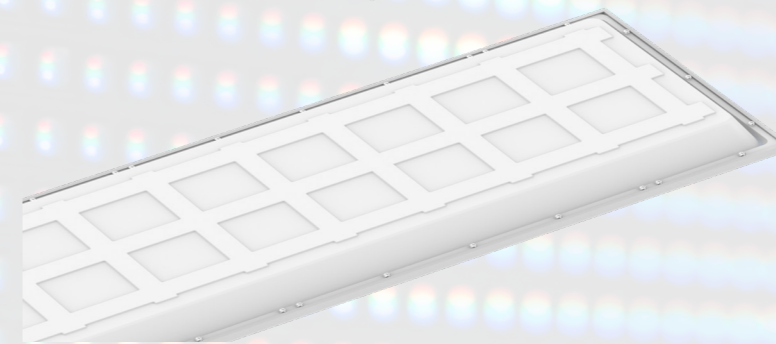


OFFICE

3CCT essential panels provide high quality with UGR19 and a CRI of 90. These panels are suitable for all applications and have been designed to be versatile for all situations. Backlit fittings are a revelation in panel design ensuring minimal failure or discolouration.



UGR19 Prismatic Lens with High CRI



Integrated plate design provided excellent thermal management



Available in Medical, Education or 3CC Options



Backlit panels only 32mm recess



Backlit panels provide better light control with no discolouring over time

	PAN412__	PAN460__	PAN430__
Dimensions	1195x595mm	595x595mm	1195x295mm
Recess	32mm		
IP Rating	IP20 (Medical IP54)		
LED Colour	3CCT or Single Colour. Refer to product page		
Lumens	Refer to product page		
Wattage	60W	36W	36W
CRI	90+		
Life	50,000hr (TM21 L70)		
Material Body	Aluminium		

	PAN412__	PAN460__	PAN430__
UGR	<19		
LPG	PMMA		
Diffuser	PS		
Weight	3.2kg	1.56kg	1.72kg
LED Qty	84pc	42pc	42pc
Mounting	Recess, Surface, Suspended		
Beam	80°		
Dimmable	Available		
Colour Body	White 9016		

ACCESSORIES	
Surface Kit	PAN412-3SK, PAN460-3SK, PAN430-3SK
Seismic Kit	PAN3SK, 2 cables
Phase Dimming	PANDR PH 1050 (PAN412), PANDR PH 850 (PAN430/60)
Dali Dimming	PANDR DA 1050 (PAN412), PANDR DA 850 (PAN430/60)

MEDICAL UGR BACKLIT PANEL

PAN412MED

PAN460MED

PAN430MED

Wattage	50W	Wattage	36W	Wattage	36W
Lumens	5,000lm	Lumens	3,600lm	Lumens	3,600lm
Dimensions	1195x595mm	Dimensions	595x595mm	Dimensions	1195x295mm

Our medical panels have been designed around AS/NZS 1680.2.5 standard. By intergrating the requirments within our back lit panel we have manged to acheive a high quality specification which is directly targeting the medical market. Quality and performance are the key factory in developing ths range.

UGR<19 creates a more comfortable environment for all.

COI <3.3 assists in diagnosis of patients.

For more information refer to our Resource Hub at HUGOLIGHTING.com

Cyanosis Observation Index (COI)

Cyanosis occurs when oxygen levels in the blood are depleted (blueish discolouration on the skin). Causes can be temperature, heart failure, lung disease or even smothering. This is often found during the observation process and is important for the medical staff to be able to reliably detect this quickly and take the appropriate action.

The Red spectrum in a light fitting increases the ability to highlight this condition. If the red spectrum output is too low, the skin can appear darker and the patent may be diagnosed as cyansosis incorrectly. If the output is too high it may mask the cyanosis and disagnosis may be missed altogether.

A light fitting which is compliant for medical purposes (COI) must have an index <3.3 as tested against AS/NZS 1680.2.5

	PAN412MED	PAN460MED	PAN430MED	ALL
Wattage	50W	36W	36W	Colour Temperature 4,000
Dimensions	1195x595mm	595x595mm	1195x295mm	Input 230V
Lumens	5,000lm	3,600lm	3,600lm	Lifespan 50,000hr (TM21 L70)
Dimmable	Available			Power factor >0.9
UGR	<19			Flex & Plug 1.2m
IP Rating	IP40 - IP54			Beam Angle 90°
CRI	90+			Material Aluminium
Working Temperature	-25 - 40°			Anti Surge 1KV
Warranty	3Yr			COI <3.3 R9 80+

ACCESSORIES	
Surface Kit	PAN412-3SK, PAN460-3SK, PAN430-3SK
Seismic Kit	PAN3SK, 2 cables
Phase Dimming	PANDR PH 1050 (PAN412), PANDR PH 850 (PAN430/60)
Dali Dimming	PANDR DA 1050 (PAN412), PANDR DA 850 (PAN430/60)
Motion + Lux Sensor	PANM
Emergency	PANEM

EDUCATION UGR BACKLIT PANEL

PAN430ED

PAN460ED

PAN412ED

36W	Wattage	36W	Wattage	50W	Wattage
3,600lm	Lumens	3,600lm	Lumens	5,000lm	Lumens
1195x295mm	Dimensions	595x595mm	Dimensions	1195x595mm	Dimensions

As Lighting Designers we have the opportunity to enhance educational facilities by providing the best possible lighting solutions available. This is why HUGO lighting has developed a range of panels that exceed the expectations of the Ministry of Education. The standard requirments are CRI 80+ with an R9 Value of 80+, Power Factor of 0.90, Life of 70% after 50,000hr, Uniformity Ratio between 0.5 - 0.7, UGR of 19 and colour Temperture generally 4,000K. This range of Back Lit Panels exceed these requirments.

For more information refer to our Resource Hub at HUGOLIGHTING.com

ALL	PAN430ED	PAN460ED	PAN412ED	
4,000K	36W	36W	50W	Wattage
230V	1195x295mm	509x595mm	1195x595mm	Dimensions
50,000hr (TM21 L70)	3,600lm	3,600lm	5,000lm	Lumens
>0.9			Available	Dimmable
1.2m			<19	UGR
90°			IP20	IP Rating
Aluminium			90+	CRI
1KV			-20 - 45°	Working Temperature
			3Yr	Warranty

ACCESSORIES	
	PAN412-3SK, PAN460-3SK, PAN430-3SK
	PAN3SK, 2 cables
	PANDR PH 1050 (PAN412), PANDR PH 850 (PAN430/60)
	PANDR DA 1050 (PAN412), PANDR DA 850 (PAN430/60)
	PANM
	PANEM

ESSENTIAL 3CCT UGR BACKLIT PANEL

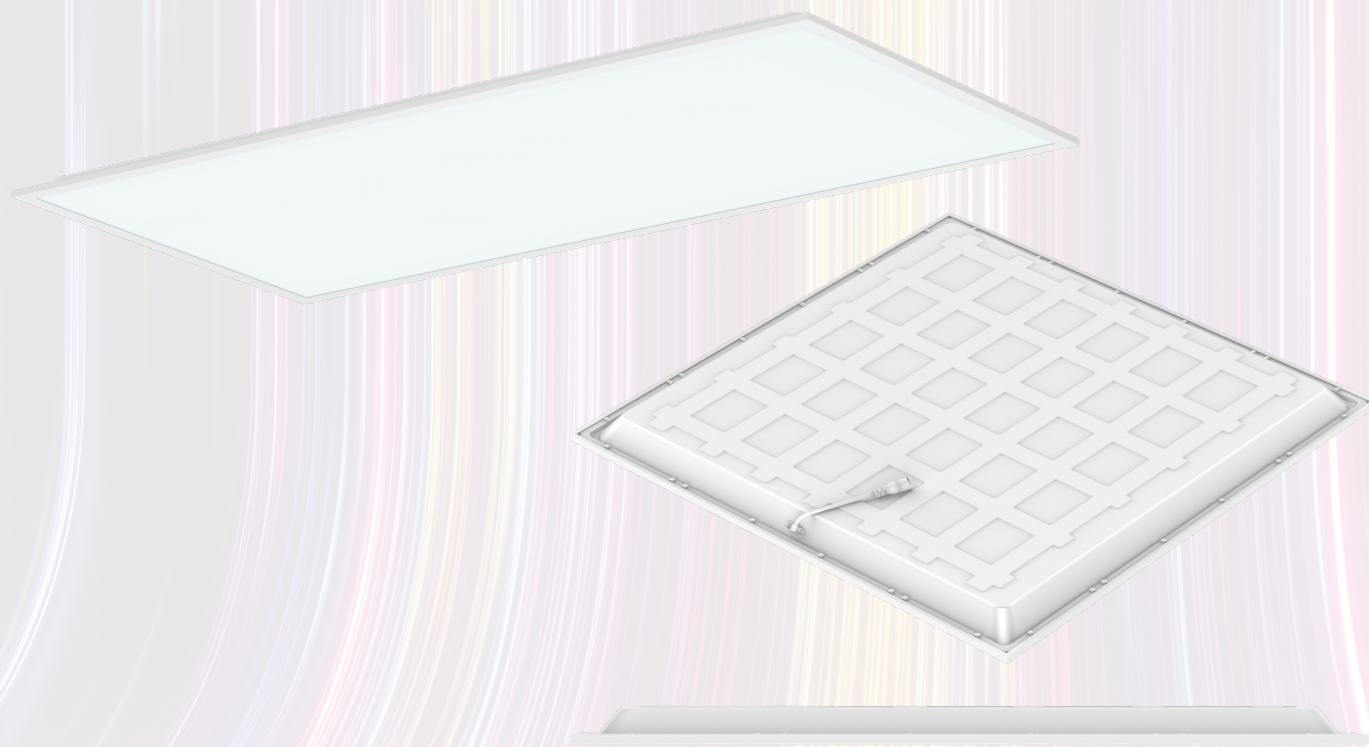
PAN412-3

PAN460-3

PAN430-3

Wattage	60W	Wattage	36W	Wattage	36W
Lumens	5-6,000lm	Lumens	3-3,300lm	Lumens	3-3,300lm
Dimensions	1195x595mm	Dimensions	595x595mm	Dimensions	1195x295mm

Hugo's Back Lit Panels are designed for high lumen efficiency. These products have UGR19 and CRI90+ as standard expectations. Back Lit Panels make use of all light and are more cost effective compared with side lit LED panel lights, and are fitted with an optical lens to offer a uniform light effect. The intergrated iron plate design provides excellent thermal mangement.



	PAN412-3	PAN460-3	PAN430-3		ALL
Wattage	60W	36W	36W	Colour Temperature	3CCT, 3,000, 4,000, 5,700K
Dimensions	1195x595mm	595x595mm	1195x295mm	Input	230V
Lumens	5-6000lm	3-3,300lm	3-3,300lm	Lifespan	50,000hr (TM21 L70)
Dimmable	Available			Power factor	>0.9
UGR	<19			Flex & Plug	1.5m
IP Rating	IP40			Beam Angle	60°
CRI	90+			Material	Aluminium
Working Temperature	-20 - 45°			Anti Surge	1KV
Warranty	3Yr				

ACCESSORIES	
Surface Kit	PAN412-3SK, PAN460-3SK, PAN430-3SK
Seismic Kit	PAN3SK, 2 cables
Phase Dimming	PANDR PH 1050 (PAN412), PANDR PH 850 (PAN430/60)
Dali Dimming	PANDR DA 1050 (PAN412), PANDR DA 850 (PAN430/60)

3CCT BATTEN

BAT1200-3

BAT1500-3

Wattage	40W	Wattage	60W	Wattage	
Lumens	4,200lm	Lumens	6,300lm	Lumens	

Hugo's contemporary designed LED batten is suitable for both commercial and residential applications. The opal diffuser supplies even illumination whilst minimising glare. Quick Fit with push twin terminals, detachable light source from base and centre feed make mounting a breeze. This product is often selected for its clean and modern design.



BAT1200-3	BAT1500-3		BAT1200-3	BAT1500-3	
4,200lm	6,300lm	Lumens	40W	60W	Wattage
230V AC		Input	1200x65x65mm	1500x65x65mm	Dimensions
3CCT, 3,000, 4,000, 6,000K		Colour Temperature	No		Dimmable
1.8kg	2.2kg	Weight	IP20		IP Rating
50,000hr (TM21 70)		Lifespan	80+		CRI
>0.95		Power factor	-20 - 45°		Working Temperature
Centre Feed, Push Terminals		Termination	Aluminium, ABS End Cap		Material
120°		Beam Angle	3KV		Anti Surge
Surface or Suspended		Mounting	3Yr		Warranty

WEATHERPROOF PROFESSIONAL 3CCT

WP2150

Wattage	48W
Lumens	7,200lm

HUGO's best in class IP65, IK08 LED under verandah luminaire is ideal for exterior and industrial areas including carparks and stairwells. Fitted with a Tridonic driver and Epistar 2835 LED chips mounted on an Aluminium gear tray and offering extremely high lumen output we are pleased this all results in low operation costs.

Cable entry from both ends along with centre of base option allows through wiring, increasing speed of install for electricians.



WEATHERPROOF ESSENTIAL

WP18

18W
1,500lm

Wattage	40W
Lumens	5,200lm

WP1120

40W
5,200lm

Wattage	55W
Lumens	7,150lm

WP1150

55W
7,150lm

Wattage	
Lumens	

This linear IP65 LED Underverandah offers a low energy luminaire ideal for exterior and industrial areas including carparks and stairwells. Impact rating of IK08 and an Ingress Rating of IP65 featuring Epistar 2835 LED chips mounted on an Aluminium gear tray.

Through wiring and clip entry into terminal blocks for install ease, plus addition of high lumen output makes this product a great choice.



WEATHERPROOF

WEATHERPROOF

Wattage	48W	Lumens	7,200lm
Dimensions	77x1500x66mm	Input	220 - 240V AC
Dimmable	No	Colour Temperature	3CCT, 4,000, 5,000, 6,500K
IP Rating	IP65	IK Rating	IK08
CRI	80+	Lifespan	50,000hr
Working Temperature	-20 - 40°	Power factor	>0.9
Material	PC Diffuser and Base	Lumens per Watt	150lm/W
Anti Surge	2K	Warranty	5Yr

WP118	WP1120	WP1150	
1,500lm	5,200lm	7,150lm	Lumens
220 - 240V AC			Input
4,000K			Colour Temperature
IK08			IK Rating
30,000hr	50,000hr		Lifespan
>0.9			Power factor
130lm/W			Lumens per Watt
5Yr			Warranty
WP18	WP1120	WP1150	
18W	40W	55W	Wattage
590x86x66mm	1180x72x61mm	1480x72x61mm	Dimensions
No			Dimmable
IP65			IP Rating
80+			CRI
-25 - 40°			Working Temperature
PC Diffuser and Base			Material
1KV	2KV		Anti Surge

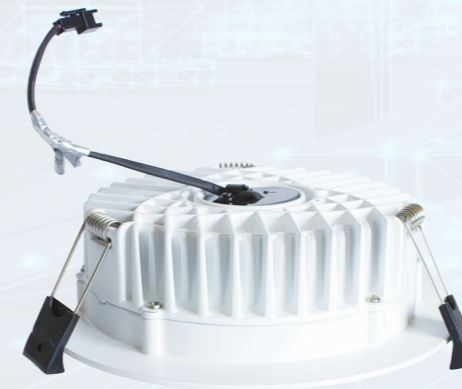
COMMERCIAL DOWNLIGHT

DLE3250

DLE3251

Wattage	15W	Wattage	18W
Lumens	1,580lm	Lumens	2,070lm

Hugo Lighting has a range of contemporary LED downlights developed specifically for the commercial market. 3CCT switch offers ability for these fittings to be used in all locations. The larger fittings in this range offer a direct replacement of traditional 18W and 26W PL Downlights.



COMMERCIAL DOWNLIGHT

DLE3253

DLE3252

Wattage	35W	Wattage	25W	Wattage	
Lumens	4,025lm	Lumens	2,850lm	Lumens	

	DLE3250	DLE3251
Wattage	15W	18W
Overall	145mm	170mm
Cut-Out	120mm	140-150mm
Recess	45mm	
Dimmable	Yes	
IP Rating	IP54	
CRI	80+	
Classification	IC-F	
Material	Aluminium	

	DLE3250	DLE3251
Lumens	1,580lm	2,070lm
Input	230V	
Colour Temperature	3CCT, 3,000, 4,000, 5,700K	
Power factor	>0.9	
Lifespan	50,000hr (TM21 L70)	
Terminals	Driver	
Beam Angle	90°	
Warranty	3Yr	

	DLE3253	DLE3252
Lumens	4,025lm	2,650lm
Input	230V	
Colour Temperature	3CCT, 3,000, 4,000, 5,700K	
Power factor	>0.9	
Lifespan	50,000hr (TM21 L70)	
Terminals	Driver	
Beam Angle	90°	
Warranty	3Yr	

	DLE3253	DLE3252
Wattage	35W	25W
Overall	228mm	190mm
Cut-Out	200-210mm	160-170mm
Recess	45mm	
Dimmable	Yes	
IP Rating	IP65	
CRI	80+	
Classification	IC-F	
Material	Aluminium	



SWL042 4.2W Wall Light



SWL044 5.5W Wall Light



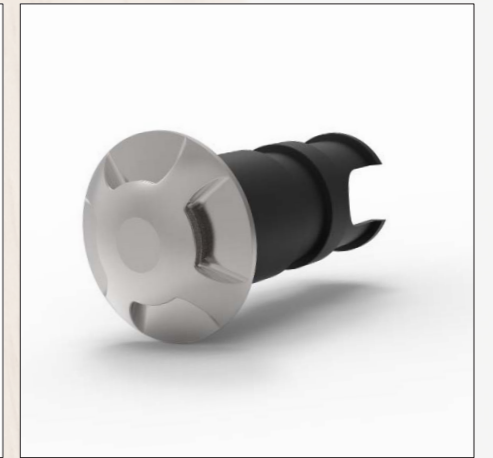
SWL048 2x6.2W Wall Light



DLEK934 13.7W Downlight



GDL436 6W Ground



GDL354 1W Ground



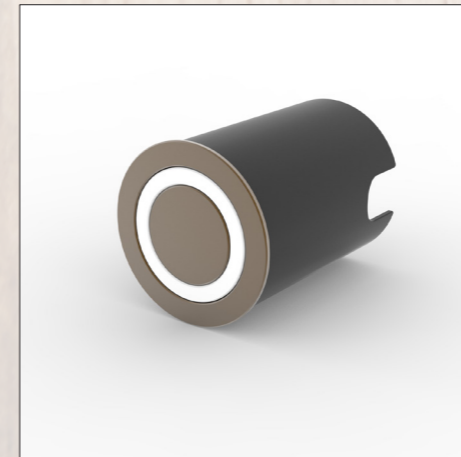
SWL336AC 12W Wall Light IP44



SWL440 6.1W Wall Light IP65



SCLG25 25W UGR Surface



GDL370 1W Marker/Ground



SWL632 30W Surface



SWL441 5.5W Wall IP65



DSK601 9W Surface



BLL317 15.6W Bollard



DSK603 2x9W Surface



DLEK751 12W Downlight



DLEK533 10.5W Downlight



DLEK536 10.5W Downlight Wall Wash

HUGO LIGHTING



www.hugolighting.com



info@hugolighting.com



(+64)3 942 1272



2/22 Sonter Road, Wigram,
Christchurch, New Zealand 8042

